



The Tongue is a highly sculptural chair and a classic Arne Jacobsen design. It has the immediately recognisable characteristics of the organic wave form in the seat; complemented with the beautifully splayed legs.

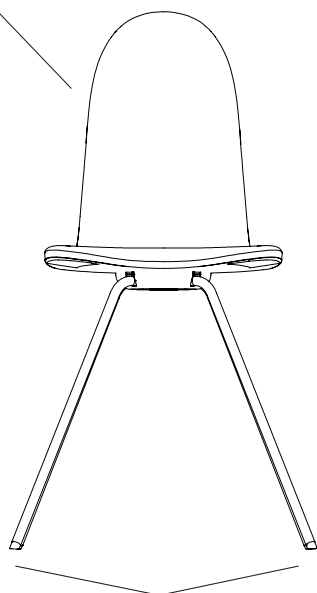
The Tongue chair was designed by Arne Jacobsen in 1955. He designed the chair for Munkegård School in Denmark - a building Arne Jacobsen also was the architect of.

The Tongue has been restored by HOWE engineering expertise to match the high standards of today. The chair's aesthetics are exactly as Jacobsen specified, with additional strength provided through precision engineering thus matching Jacobsen's own vision for the chair.

#### TESTING AND WARRANTY

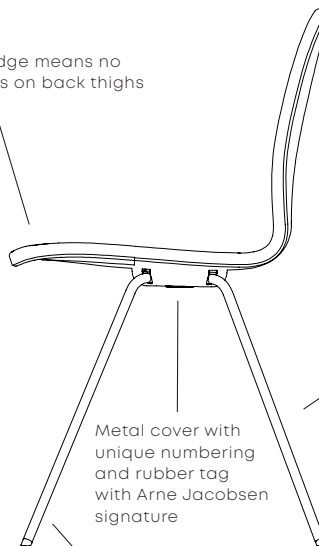
- The Tongue has been tested to EN 15373:2007, level 2 for strength and durability.
- All versions of the the Tongue chair are FSC® certified.
- All parts of the chair can be dismantled and recycled.
- The Tongue chair has 5-year warranty.

The Tongue is FSC certified.  
Full upholstered version optional



Glides for floor protection

A soft rolled edge means no pressure points on back thighs



Chrome3 - the most environmental friendly chrome solution or powder coated frame

Metal cover with unique numbering and rubber tag with Arne Jacobsen signature

Steel tube legs with rod reinforcement. Strength without compromise to design