

SixE® 4-LEG WITH CASTORS

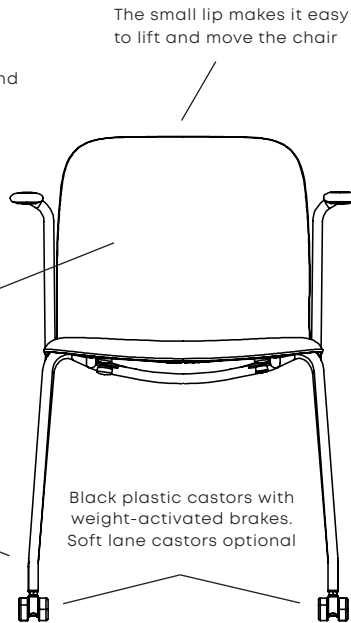
Stackable up to 15 chairs on a dolly

Also available as a seat and fully upholstered

Armrests are optional

The shell material is 100% recyclable Polypropylene (PP). Also available as 100% recycled in Howe grey colour

Chrome 3 (the most environmental friendly chrome solution) or powder coated frame



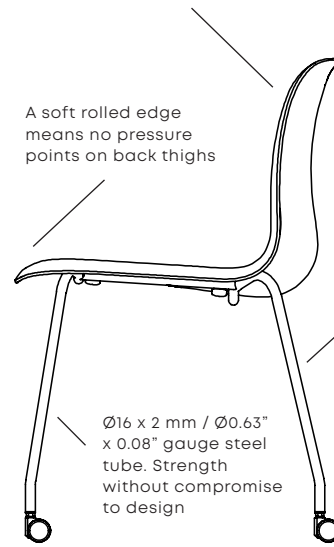
A carefully tuned back form delivers superb comfort and support for the lumbar region

A soft rolled edge means no pressure points on back thighs

A unique semi gloss graphic texture on the back

Unique design combining slim-legged castor frame with remarkable sturdiness

Ø16 x 2 mm / Ø0.63" x 0.08" gauge steel tube. Strength without compromise to design



SixE is designed to be the most efficient, sturdy, and long-lasting solution to the ubiquitous stacking shell chair.

Created by British design duo Pearson Lloyd, it emphasizes both comfort and functionality, ensuring essential support and ergonomic benefits for an optimal seating experience. With a contemporary yet unassuming design, SixE seamlessly integrates with architectural spaces while enhancing their aesthetic appeal.

Universal in its application, the SixE family, which includes a 4-leg variant with castors, enables the chair to function across various settings: from domestic contexts, cafes, educational and learning spaces to general office and inclusive meeting areas.

TESTING AND WARRANTY

- SixE is designed for severe contract use.
- The chair passed testing according to the required EN and BIFMA standards.
- SixE carries the HOWE 10 year warranty.

ERGONOMIC, EFFICIENT, ELEGANT, ENVIRONMENTAL, ECONOMIC AND EASE OF HANDLING: THESE SIX "E" WORDS SUM UP THE SIXE CHAIR.

