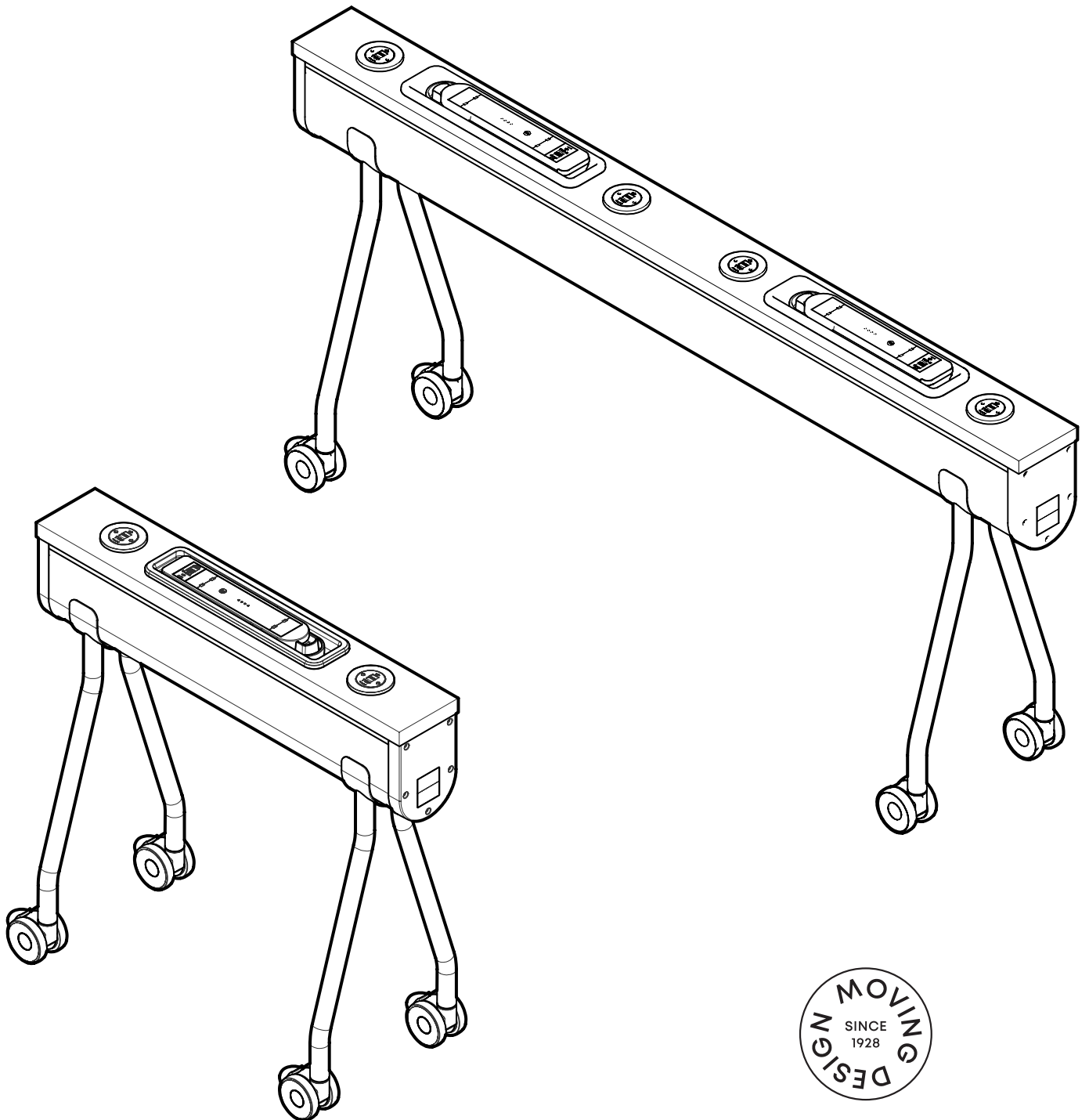
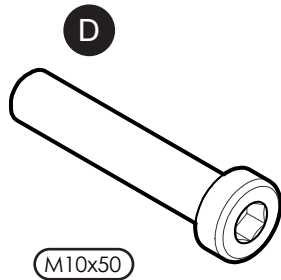
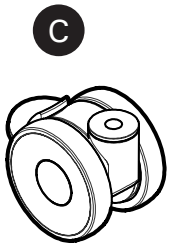
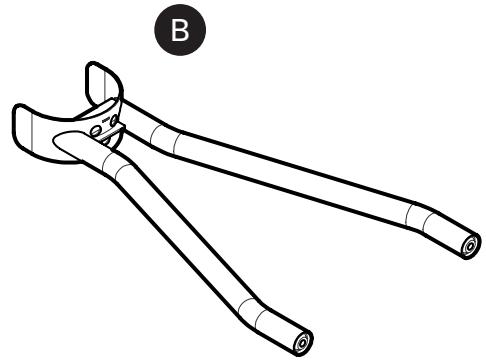
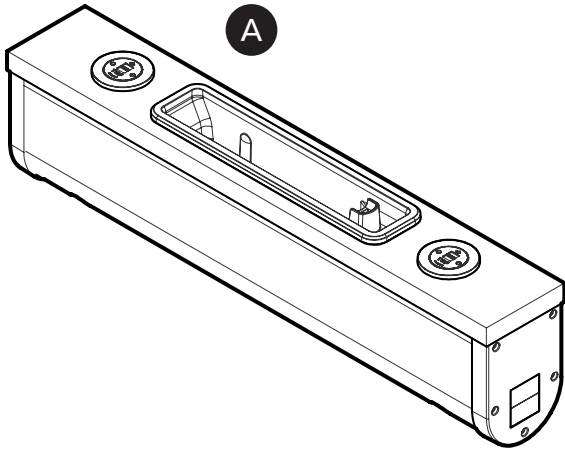


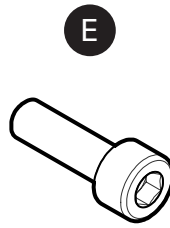
Folding Surfaces

Mobile Power Unit

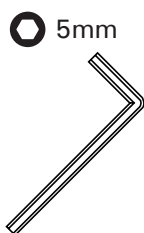
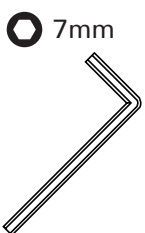
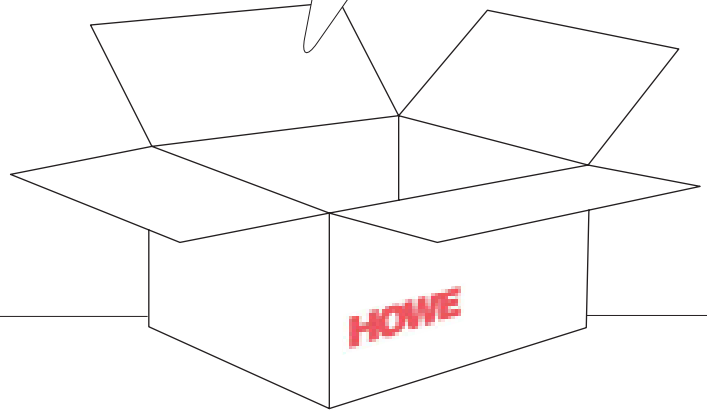
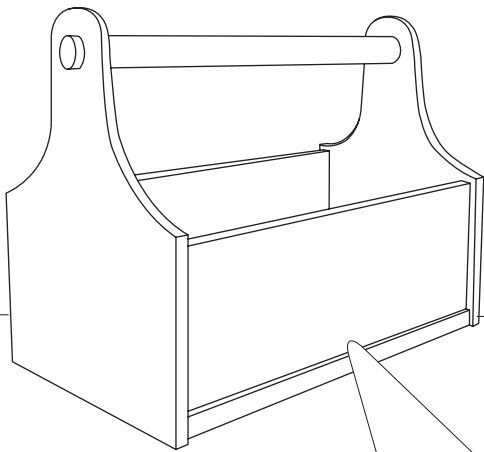
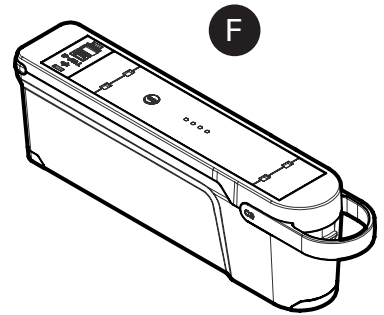


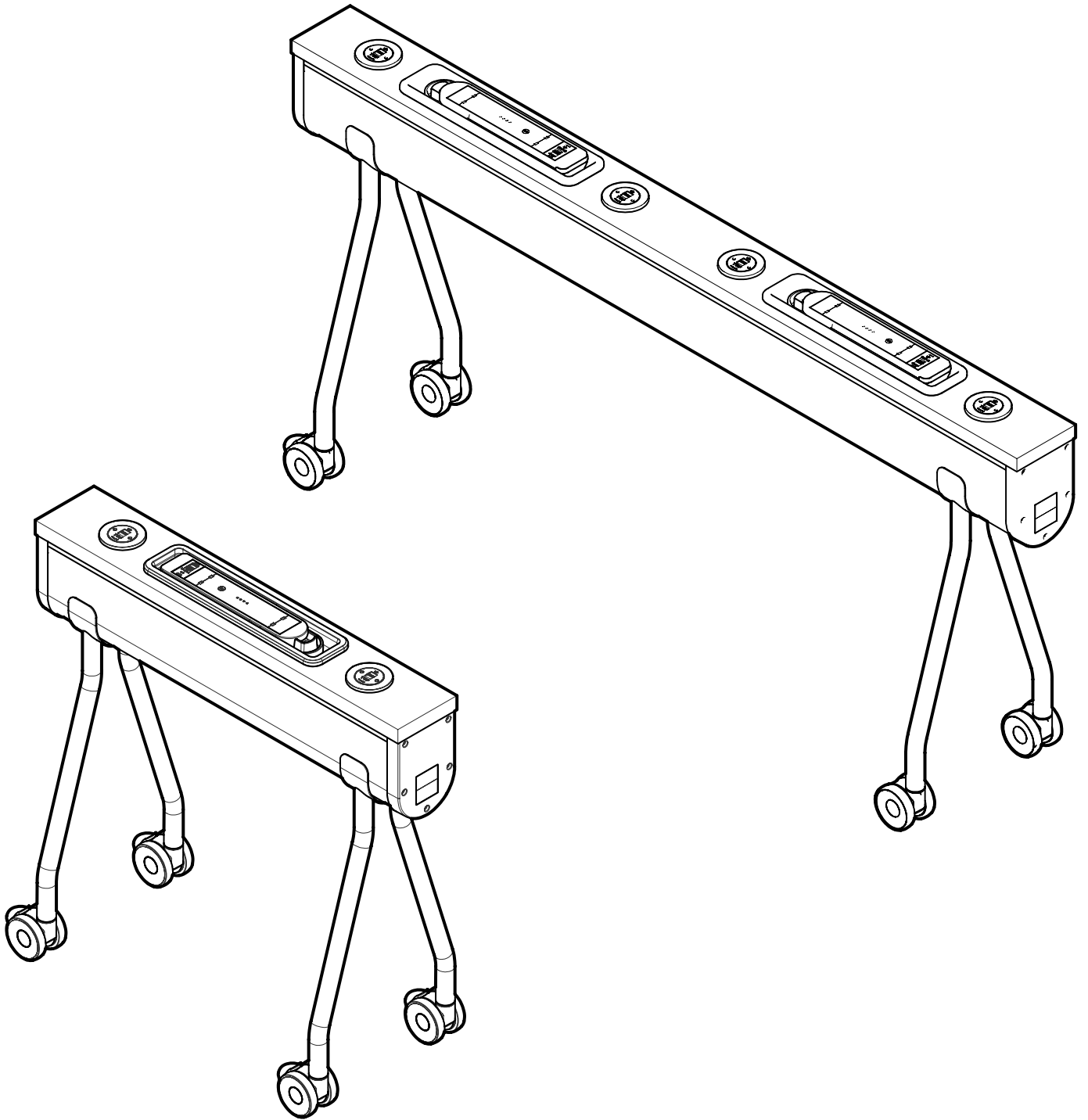




M10x50



M6x16





		# QTY					
		A	B	C	D	E	F
		1	2	4	4	6	2
		1	2	4	4	6	1

1

