



The Munkegaard chair is a controversial design that turns heads as much today as it did when it was created in 1955. It offers easy functionality while maintaining a strong visual identity.

Whether you know it as the Munkegaard chair or the Mosquito chair, it is an iconic and stylish piece of furniture that doesn't conform to the norm. But that doesn't mean it's impractical - as a matter of fact, it's quite the opposite.

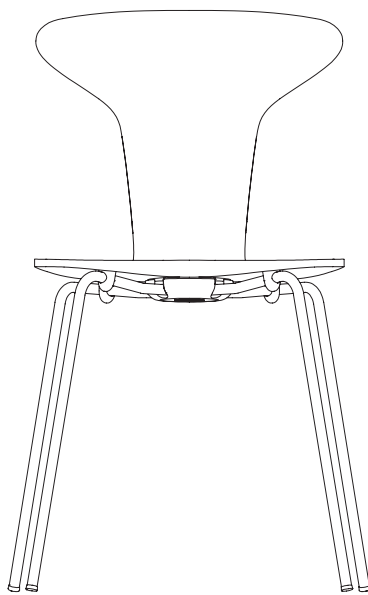
Functionality was a prerequisite for the Munkegaard chair. Originally designed for the Munkegaard School, the chair had to be easily stacked to optimise the limited space available, extremely durable, and of course, comfortable to sit in for extended periods of time.

Strong, proud and downright practical, the Munkegaard chair is the epitome of modernist design.

TESTING AND WARRANTY

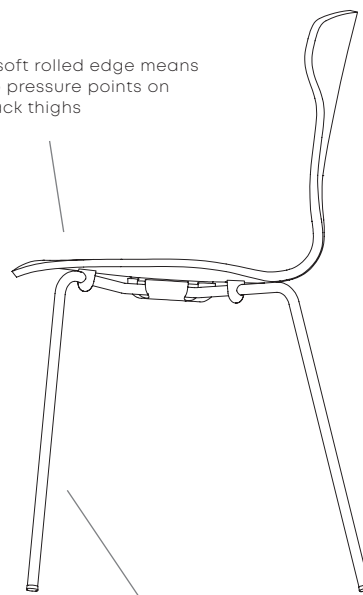
- The chair has been tested to EN 16139:2013, level 2 for stability, strength, and durability.
- The chair has also passed the ANSI/BIFMA X5.1 test.
- All versions of the the Munkegaard chair are FSC® certified.
- All parts of the chair can be dismantled and recycled.
- The Munkegaard chair has 5-year warranty.

The Munkegaard chair is FSC certified. Full upholstered version optional



Glides for floor protection

A soft rolled edge means no pressure points on back thighs



Chrome 3 (the most environmental friendly chrome solution) or powder coated frame

Steel tube legs. Strength without compromise to design