



The Tempest table is considered the world's leading flip-top table system in terms of its unique space-saving and manageability qualities. Tempest is often referred to as the "zero weight" table system by combining a flip-top mechanism and integrated castors allowing the table to be moved around easily. When not in use, the tables can be nested to optimise space.

Tempest's beautiful and rock solid flip-top mechanism by KOMPLOT Design is an incredible attribute both in terms of design and functionality. The multi-directional linking system allows the users to link the Tempest table in any direction they may please. Finally, Tempest also offers a modesty panel system and solutions for power and data.

TESTING AND WARRANTY

Tempest is tested to DS/EN 15372:2009, level 3 and BIFMA, and carries the HOWE 5 year warranty.

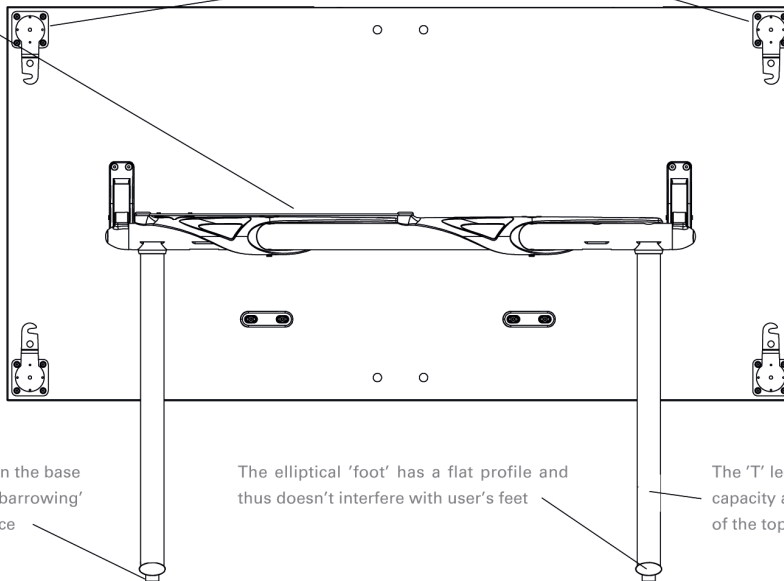
The flip top mechanism is a 'spring assisted double butterfly mechanism' ... the top 'flips' from the horizontal to the vertical for nesting and storage

Modular top sizes permit multi directional linking, i.e. long side to long side, short to short side, and short to long side

Retractable linking and levelling brackets for multi-directional linking

Ease of handling and operation is a key benefit of Tempest flip top tables, as there is no lifting involved, it's a no weight consideration

Wire management solutions range from the simple provision of top grommets to 'drop in' power and data boxes and cable management; just ask



Top shapes (rectangles, half-rounds, trapezoids, crescents, V-shapes) are extensive and permit different shapes of layouts for different types of meeting

- Edge detail
1. Matching ABS on melamine and laminate tops
 2. 3 mm solid wood on veneer tops
 3. 3 mm hardwood edge or 2 mm ABS edge on 40 mm top
 4. Open edge on linoleum tops

Concealed castors (within the base foot) permit easy 'wheelbarrowing' of tables around the space

The elliptical 'foot' has a flat profile and thus doesn't interfere with user's feet

The 'T' leg permits maximum seating capacity around the entire perimeter of the top; nobody gets a leg!